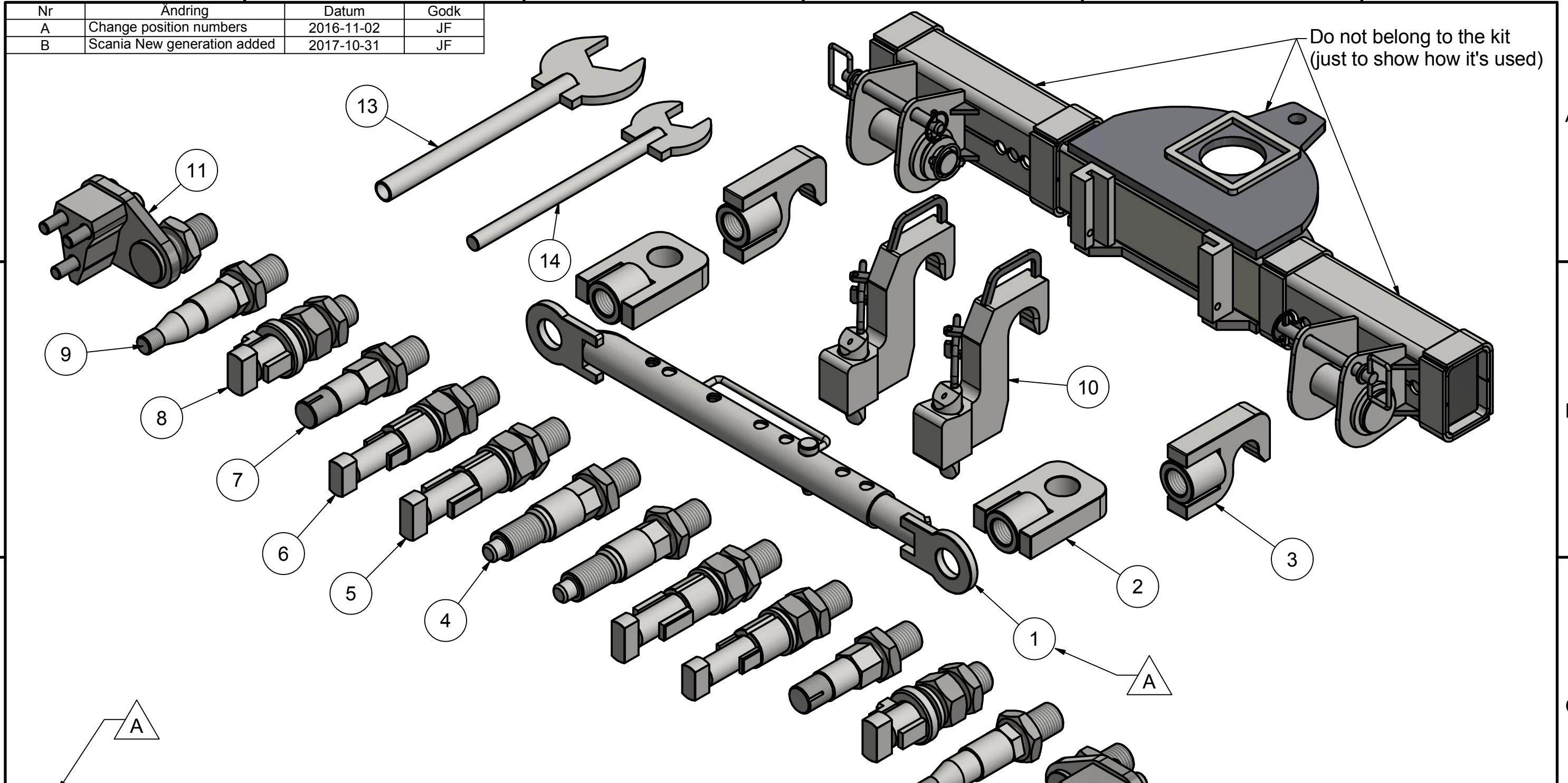


Nr	Ändring	Datum	Godk
A	Change position numbers	2016-11-02	JF
B	Scania New generation added	2017-10-31	JF



14	1	Nyckel 55 smst		W97-0053	2,5	
13	1	Nyckel 75 smst		W97-0050	2,5	
12	1	Verktyg Scania nya hö smst		W97-0089	9,7	
11	1	Verktyg Scania nya vä smst		W97-0088	9,7	
10	2	Scania lyftverktyg smst		W92-0021	9,7	
9	2	Verktyg Volvo nya smst		W97-0086	4,6	
8	2	Verktyg Volvo gamla smst		W97-0080	6,2	
7	2	Verktyg MAN, Merca, Renault smst		W97-0076	4,2	
6	2	Verktyg DAF XF Smst		W97-0070	6,6	
5	2	Verktyg DAF CF Smst		W97-0063	7	
4	2	Verktyg DAF smst		W97-0061	5,4	
3	2	Lyftfäste smst		W97-0056	4,9	
2	2	Dragöra smst		W97-0059	5,9	
1	1	Dragbalk smst		W97-0039	8,6	
Pos	Quantity	Description	Material	Draw. no.	Dimension	Kg.pc

Created By JF	Drawn By JF	Date 2015-10-21	View 	Kg total 239,3 kg
				Format A3
				Title Dragverktyg TYP 2 Komplet
Assembly				Scale 1:6
Drawing No W97-0038				Rev.no. B

This drawing is the property of BSM Wreckers and may not be copied with the exception of our written permission, demonstrated to or be served in one way or another or to be given to third person or to be used as basis for production to any other than us. We will take legal measures against any transgression.